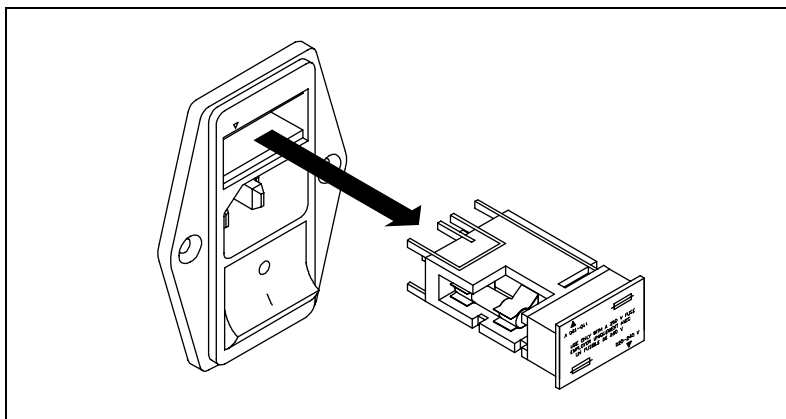


FUSE REPLACEMENT ON VOLTAGE-SELECTABLE POWER ENTRY MODULE

This document contains information you will need if you need to replace a fuse or adapt your device to a change in supply voltage. The fuse module accepts both a 200 mA fuse and a 250 mA fuse. When you remove the fuse module to replace a fuse, it is important to correctly reinstall the fuse module to accommodate the supply voltage in your area.



1. Ensure the power switch on the back panel is in the off position.
2. Disconnect the power cord from the GPIB-120A. The fuse module is located directly adjacent to the power cord receptacle.
3. Extract the fuse module using a screwdriver.
4. The fuse you insert depends on whether your supply voltage is in the 110 VAC range or 220 VAC range. In North America, use the 110 VAC range. The 220 VAC range is used in Europe.
 - 110 VAC range—250 V, 250 mA fuse
 - 220 VAC range—250 V, 200 mA fuse
5. Insert the fuse on the appropriate side of the fuse module.
6. Align the white arrow with the black arrow notched on the power entry module and push the fuse module into place.